

# DOBLÒ CARGO



TECHNICAL SPECIFICATIONS AND MAIN EQUIPMENT



# TECHNICAL SPECIFICATION

Petrol Engines	120 T-JET	120 T-JET NATURAL POWER
<b>Engine</b>		
No. of cylinders, layout	4 in-line, transverse front	4 in-line, transverse front
Displacement (cm³)	1368	1368
Emissions level	Euro 6d-TEMP	Euro 6d-TEMP
Compression ratio	9.8:1	9.8:1
EC Max. power: kW (HP) at rpm	88 (120) 5000	88 (120) 5000
EC Max. torque: Nm at rpm	206 (21.0) 3000	206 (21.0) 3000
Timing system (control)	2 OHC (toothed drive belt) with hydraulic tappets 4 valves per cylinder	2 OHC (toothed drive belt) with hydraulic tappets 4 valves per cylinder
Fuel included	petrol (EN228)	petrol (EN228) / methane
Supply	sequential, phased Multipoint (MPI) electronic injection with turbocharger and intercooler, returnless system	electronic timed sequential Multipoint (MPI) injection, specific injection for methane, turbo and intercooler, returnless system
Ignition	electronic, static, integrated with injection	electronic, static, integrated with injection
<b>Transmission</b>		
Drive	front	front
Clutch	dry, single plate with cup engagement spring and hydraulic operation	dry, single plate with cup engagement spring and hydraulic operation
Transmission: no. of gears	6 + R	6 + R
<b>Steering</b>		
Type	rack and pinion with hydraulic power steering	rack and pinion with hydraulic power steering
Turning circle (kerb-to-kerb)	11.2 / 12.5 (Maxi and XL)	11.2 / 12.5 (Maxi)
<b>Braking system - D (self-ventilated disc) - T (drum)</b>		
Type	hydraulic system with 2 crossover independent circuits	hydraulic system with 2 crossover independent circuits
Front: ø mm	D 305	D 305
Rear: ø mm	T 254	T 254
Servo brake: ø	10"	10"
<b>Suspension</b>		
Front	independent, MacPherson type with wishbones secured to an auxiliary crossmember, telescopic hydraulic shock absorbers, coil springs and anti-roll bar	independent, MacPherson type with wishbones secured to an auxiliary crossmember, telescopic hydraulic shock absorbers, coil springs and anti-roll bar
Rear	Bi-link independent, coil springs, telescopic shock absorbers with dual calibration and anti-roll bar	Bi-link independent, coil springs, telescopic shock absorbers with dual calibration and anti-roll bar
<b>Wheels</b>		
Tyres	195/60 R 16	195/60 R 16
<b>Electrical system (12V)</b>		
Battery capacity (Ah)	50 / 60	60
Alternator current (A)	105 / 120	70/90/105/120
<b>Refuelling</b>		
Fuel tank capacity (litres) / (kg)	60	22      95 l / 16.15 kg * - 130 l / 22.1 kg **
<b>Performance and fuel consumption - Cargo and Combi N1</b>	<b>Euro 6d-TEMP</b>	<b>Euro 6d-TEMP - Petrol</b> <b>Euro 6d-TEMP - Methane</b>
Top speed (km/h)	172	172      172
Combined consumption (l/100 km)	9.7 - 10.4	9.2 - 10.1      6.1 - 6.7 †
CO <sub>2</sub> emissions (g/km)	222 - 237	206 - 227      165 - 181

All values are referred to N1 homologation

† (kg/100 km)      \* 4 tanks      \*\* 5 tanks

# TECHNICAL SPECIFICATION

Diesel	80 / 95 MULTIJET <sub>2</sub>	100 / 105 MULTIJET <sub>2</sub>	120 MULTIJET <sub>2</sub>
<b>Engine</b>			
No. of cylinders, layout	4 in-line, transverse front	4 in-line, transverse front	4 in-line, transverse front
Displacement (cm <sup>3</sup> )	1248	1598	1598
Emissions level	Euro 6d-TEMP with DPF and Start&Stop (ECOJET)	Euro 6d-TEMP with DPF and Start&Stop (ECOJET)	Euro 6d-TEMP with DPF and Start&Stop (ECOJET)
Compression ratio	16.8:1	16.5:1	16.5:1
EC Max. power: kW (HP) at rpm	59 / 70 (80 / 95) 3750	73 / 77 (100 / 105) 3750	88 (120) 3750
EC Max. torque: Nm at rpm	200 (20.4) 1500	320 (32.6) 1750	320 (32.6) 1750
Timing system (control)	2 OHC (with chain) with hydraulic tappets 4 valves per cylinder	2 OHC (toothed belt) with hydraulic tappets 4 valves per cylinder	2 OHC (toothed belt) with hydraulic tappets 4 valves per cylinder
Fuel included	diesel fuel for motor vehicles (EN 590)	diesel fuel for motor vehicles (EN 590)	diesel fuel for motor vehicles (EN 590)
Supply	Common Rail MultiJet <sub>2</sub> , direct injection electronically controlled, turbo and intercooler	Common Rail MultiJet <sub>2</sub> , direct injection electronically controlled, turbo and intercooler	Common Rail MultiJet <sub>2</sub> , direct injection electronically controlled, turbo and intercooler
Ignition	by compression	by compression	by compression
<b>Transmission</b>			
Drive	front	front	front
Clutch	dry, single plate with cup engagement spring and hydraulic operation	dry, single plate with cup engagement spring and hydraulic operation	dry, single plate with cup engagement spring and hydraulic operation
Gearbox: number of gears	5 + R	6 + R	6 + R
<b>Steering</b>			
Type	rack and pinion with hydraulic power steering	rack and pinion with hydraulic power steering	rack and pinion with hydraulic power steering
Turning circle (kerb-to-kerb)	11.2 / 12.5 (Maxi)	11.2 / 12.5 (Maxi and XL)	11.2 / 12.5 (Long Wheelbase)
<b>Braking system - D (self-ventilated disc) - T (drum)</b>			
Type	hydraulic system with 2 crossover independent circuits	hydraulic system with 2 crossover independent circuits	hydraulic system with 2 crossover independent circuits
Front: ø mm	D 284 - D 305 (Maxi and extra capacity)	D284 / D305 (Maxi and extra capacity)	D305
Rear: ø mm	T 228 - T 254 (Maxi and extra capacity and Combi)	T 228 - T 254 (Maxi and extra capacity and Combi)	T 254
Servo brake: ø	10"	10"	10"
<b>Suspension</b>			
Front	independent, MacPherson type with wishbones secured to an auxiliary crossmember, telescopic hydraulic shock absorbers, coil springs and anti-roll bar	independent, MacPherson type with wishbones secured to an auxiliary crossmember, telescopic hydraulic shock absorbers, coil springs and anti-roll bar	independent, MacPherson type with wishbones secured to an auxiliary crossmember, telescopic hydraulic shock absorbers, coil springs and anti-roll bar
Rear	Bi-link independent, coil springs, telescopic shock absorbers with dual calibration and anti-roll bar (according to versions)	Bi-link independent, coil springs, telescopic shock absorbers with dual calibration and anti-roll bar (according to versions)	Bi-link independent, coil springs, telescopic shock absorbers with dual calibration and anti-roll bar (according to versions)
<b>Wheels</b>			
Tyres	185/65 R 15 - 195/60 R 16 - 195/65 R 15	185/65 R 15 - 195/60 R 16 - 195/65 R 15	195/60 R 16
<b>Electrical system (12V)</b>			
Battery capacity (Ah)	63	72	72
Alternator current (A)	150	150 / 180	150 / 180
<b>Refuelling</b>			
Fuel tank capacity (litres)	60	60	60
Urea tank Capacity (Litres)	14	14 / 13*	14 / 13*
<b>Performance and fuel consumption - Cargo and Combi N1</b>			
	<b>Euro 6d-TEMP ECOJET with DPF, S&amp;S and ECOPack</b>	<b>Euro 6d-TEMP ECOJET with DPF, S&amp;S and ECOPack</b>	<b>Euro 6d-TEMP ECOJET with DPF, S&amp;S and ECOPack</b>
Top speed (km/h)	148 (80 HP) 161 (95 HP)	170	176
Combined consumption (l/100 km)	5.6 - 6.5	6.1 - 7.0	6.1 - 7.1
CO <sub>2</sub> emissions (g/km)	149 - 171	160 - 184	160 - 188

All values are referred to N1 homologation \* Urea Tank for work up 13 Lt

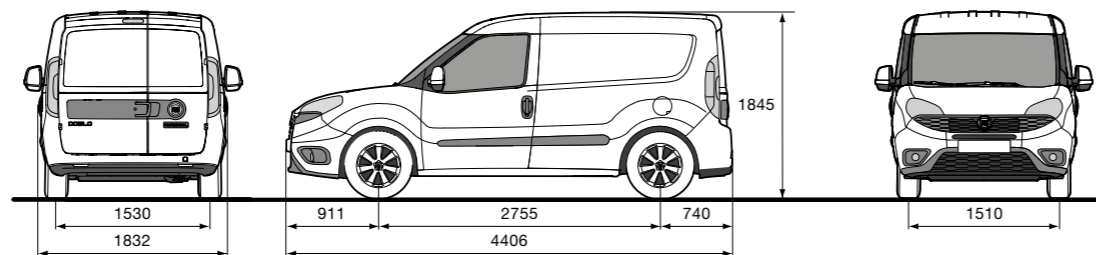
The CO<sub>2</sub> emission and fuel consumption values are defined based on official tests, in conformity with the provisions of the EU Regulations in force at the time of homologation. In particular, the indicated values are calculated based on the WLTP test procedure. The CO<sub>2</sub> and consumption values are only indicated for the purpose of comparing the vehicle data. The CO<sub>2</sub> and consumption homologation values may not be representative of the effective CO<sub>2</sub> and consumption values, which depend on many factors related, for example, to weather and road conditions and to vehicle condition, use and equipment.

The CO<sub>2</sub> and consumption values specified in this document refer to the versions of the vehicle with the highest and lowest values. These values may change depending on the selected equipment and/or tyre dimensions. The indicated CO<sub>2</sub> and consumption values are not definitive and may evolve if the production cycle is modified. In any case, the official CO<sub>2</sub> and consumption values of the purchased vehicle will be provided with its accompanying documents. If the CO<sub>2</sub> and consumption values affect the calculation of the vehicle duties and taxes, refer to the applicable standards in force.

## STANDARD SHORT WHEELBASE

### Exterior dimensions (mm)

Wheelbase	2755
Length	4406
Width	1832
Front track	1510
Rear track	1530
Maximum height (unladen)	1845
Front overhang	911
Rear overhang	740
<b>Rear door (mm)</b>	
Width	1231
Height	1250
<b>Sliding side door (mm)</b>	
Width	700
Height	1175
<b>Loading compartment (mm)</b>	
Length	1820
Width	1714
Width between wheel arches	1230
Height	1305
Load threshold height (mm)	545
<b>Load compartment capacity (m³)</b>	
Volume	3.4 - 3.8*



### Weight

	Standard van			Extra capacity van		
Engine versions	80 - 95 MultiJet <sub>2</sub>	100 - 105 - 120 MultiJet <sub>2</sub>	120 T-Jet	80 - 95 MultiJet <sub>2</sub>	100 - 105 - 120 MultiJet <sub>2</sub>	120 T-Jet Natural Power
Vehicle weight * (kerb weight) (kg)	1320	1395	1365	1375	1470	1463
Payload including driver (kg)	750	750	1005	1005	1005	980
GVW (kg)	2070	2145	2370	2380	2475	2443
Max. towable weight (kg)	1000	1300	1000	1000	1300	1000

### Fuel consumption - Emissions

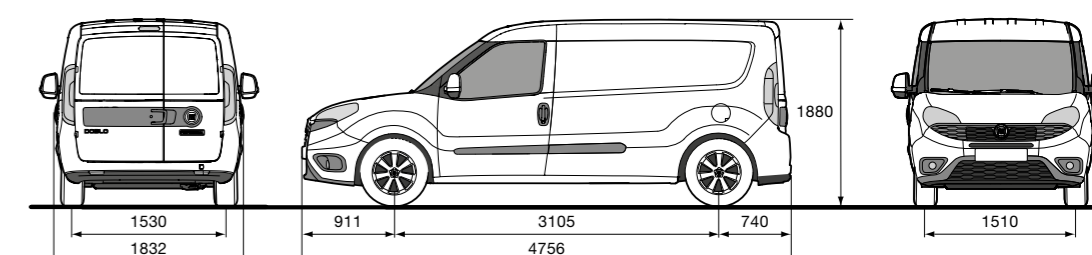
	Standard van			Extra capacity van			
Engine versions	80 - 95 MultiJet <sub>2</sub> Euro 6d-TEMP ECOJet DPF S&S Ecopack	100 - 105 - 120 MultiJet <sub>2</sub> Euro 6d-TEMP ECOJet DPF S&S Ecopack	120 T-Jet Euro 6d-TEMP	80 - 95 MultiJet <sub>2</sub> Euro 6d-TEMP ECOJet DPF S&S Ecopack	100 - 105 - 120 MultiJet <sub>2</sub> Euro 6d-TEMP ECOJet DPF S&S Ecopack	120 T-Jet Natural Power Euro 6d-TEMP	
Fuel included	diesel	diesel	petrol	diesel	diesel	petrol	methane
Combined consumption (l/100 km)	5.6 - 6.4	6.1 - 7.0	10.2 - 10.4	6.1	6.1 - 7.0	9.2 - 10.1	6.1 - 6.7 ▼
CO <sub>2</sub> emissions (g/km)	149 - 169	160 - 184	233 - 237	162	160 - 184	206 - 227	165 - 181

\* With passenger seat folded down and swing partition    ▲ Referred to basic versions without optional    ▼ (kg/100 km)

## MAXI

### Exterior dimensions (mm)

Wheelbase	3105
Length	4756
Width	1832
Front track	1510
Rear track	1530
Maximum height (unladen)	1880
Front overhang	911
Rear overhang	740
<b>Rear door (mm)</b>	
Width	1231
Height	1250
<b>Sliding side door (mm)</b>	
Width	700
Height	1175
<b>Loading compartment (mm)</b>	
Length	2170
Width	1714
Width between wheel arches	1230
Height	1305
Load threshold height (mm)	545
<b>Load compartment capacity (m³)</b>	
Volume	4.2 - 4.6*



### Weight

	Standard van				750 kg capacity van	
Engine versions	120 T-Jet	80 - 95 MultiJet <sub>2</sub>	100 - 105 - 120 MultiJet <sub>2</sub>	120 T-Jet Natural Power	80 - 95 MultiJet <sub>2</sub>	100 - 105 MultiJet <sub>2</sub>
Vehicle weight * (kerb weight) (kg)	1405	1420	1480	1520 / 1570 ■	1385	1465
Payload including driver (kg)	1005	1005	1005	980 / 910 ■	750	750
GVW (kg)	2410	2425	2485	2500 / 2480 ■	2135	2215
Max. towable weight (kg)	1000	1000	1300	1000	1000	1300

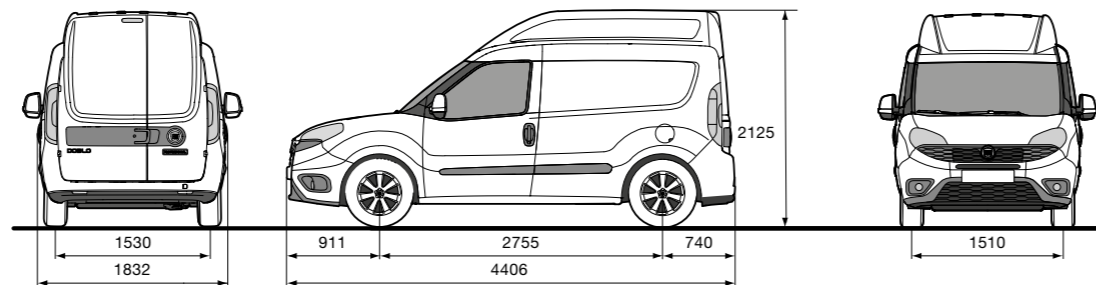
### Fuel consumption - Emissions

	Standard van		120 T-Jet Natural Power		
Engine versions	120 T-Jet Euro 6d-TEMP	80 - 95 MultiJet <sub>2</sub> Euro 6d-TEMP ECOJet DPF S&S Ecopack	100 - 105 - 120 MultiJet <sub>2</sub> Euro 6d-TEMP ECOJet DPF S&S Ecopack	Euro 6d-TEMP	
Fuel included	petrol	diesel	diesel	petrol	methane
Combined consumption (l/100 km)	9.8 - 9.9	5.7 - 6.4	6.1 - 6.9	9.3 - 9.8	6.1 - 6.5 ▼
CO <sub>2</sub> emissions (g/km)	223 - 227	151 - 170	162 - 182	210 - 222	167 - 176

\* With passenger seat folded down and swing partition    ▲ Referred to basic versions without optional    ■ With opt 422 (supplementary methane canister)    ▼ (kg/100 km)

# HIGH ROOF SHORT WHEELBASE

Exterior dimensions (mm)	
Wheelbase	2755
Length	4406
Width	1832
Front track	1510
Rear track	1530
Maximum height (unladen)	2125
Front overhang	911
Rear overhang	740
Rear door (mm)	
Width	1231
Height	1455
Sliding side door (mm)	
Width	700
Height	1175
Loading compartment (mm)	
Length	1820
Width	1714
Width between wheel arches	1230
Height	1550
Load threshold height (mm)	545
Load compartment capacity (m³)	
Volume	4.0 - 4.4*



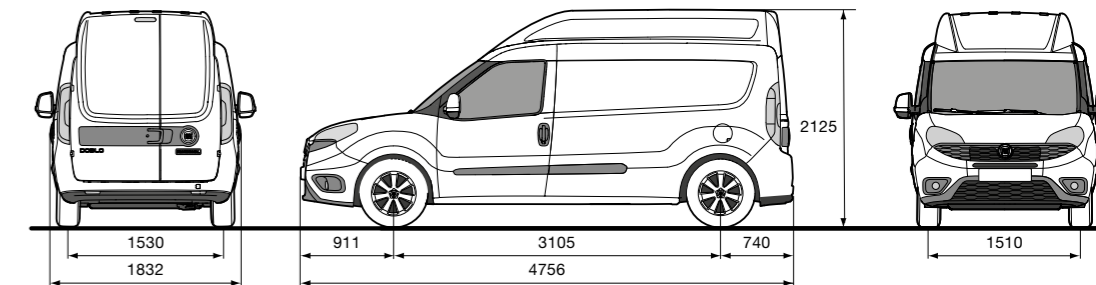
Weight	Standard van		Extra capacity van	
	100 - 105 - 120 MultiJet <sub>2</sub>	120 T-Jet	120 MultiJet <sub>2</sub>	120 T-Jet Natural Power
Engine versions	100 - 105 - 120 MultiJet <sub>2</sub>	120 T-Jet	120 MultiJet <sub>2</sub>	120 T-Jet Natural Power
Vehicle weight * (kerb weight) (kg)	1430	1405	1465	1494
Payload including driver (kg)	750	1005	1005	950
GVW (kg)	2180	2410	2470	2444
Max. towable weight (kg)	1300	1000	1300	1000

Fuel consumption - Emissions	Standard van		Extra capacity van	
	100 - 105 - 120 MultiJet <sub>2</sub>	120 T-Jet	120 MultiJet <sub>2</sub>	120 T-Jet Natural Power
Engine versions	100 - 105 - 120 MultiJet <sub>2</sub>	120 T-Jet	120 MultiJet <sub>2</sub>	120 T-Jet Natural Power
Fuel included	Euro 6d-TEMP ECOJet DPF S&S Ecopack	Euro 6d-TEMP	Euro 6d-TEMP ECOJet DPF S&S ECOpack	Euro 6d-TEMP
Combined consumption (l/100 km)	diesel 6.3-6.7	petrol 10.4	diesel 6.6	petrol 9.5 - 10.1
CO <sub>2</sub> emissions (g/km)	165-176	237	175	215 - 227
				methane 6.6 - 6.7 ▼

\* With passenger seat folded down and swing partition    ▲ Referred to basic versions without optional    ▼ (kg/100 km)

# XL

Exterior dimensions (mm)	
Wheelbase	3105
Length	4756
Width	1832
Front track	1510
Rear track	1530
Maximum height (unladen)	2125
Front overhang	911
Rear overhang	740
Rear door (mm)	
Width	1231
Height	1455
Sliding side door (mm)	
Width	700
Height	1175
Loading compartment (mm)	
Length	2170
Width	1714
Width between wheel arches	1230
Height	1550
Load threshold height (mm)	545
Load compartment capacity (m³)	
Volume	5.0 - 5.4*



Weight	120 T-Jet		100 - 105 - 120 MultiJet <sub>2</sub>	
	Engine versions	120 T-Jet	100 - 105 - 120 MultiJet <sub>2</sub>	
Vehicle weight * (kerb weight) (kg)	1475	1505		
Payload including driver (kg)	1005	1005		
GVW (kg)	2480	2510		
Max. towable weight (kg)	1000	1300		

Fuel consumption - Emissions	120 T-Jet		100 - 105 - 120 MultiJet <sub>2</sub>	
	Euro 6d-TEMP		Euro 6d-TEMP ECOJet DPF S&S ECOpack	
Engine versions	120 T-Jet	100 - 105 - 120 MultiJet <sub>2</sub>		
Fuel included	petrol	diesel		
Combined consumption (l/100 km)	10.2 - 10.3	6.5 - 7.1		
CO <sub>2</sub> emissions (g/km)	234 - 236	172 - 188		

\* With passenger seat folded down and swing partition    ▲ Referred to basic versions without optional



**Exterior dimensions (mm)**

Wheelbase	3105
Length	4981
Width	1872
Front track	1510
Rear track	1530
Maximum height (unladen)	2049
Front overhang	911
Rear overhang	803

**Loading compartment (mm)**

Length	2300
Width	1818
Side height	368
Load threshold height (mm)	910

**Surface (m<sup>2</sup>)**

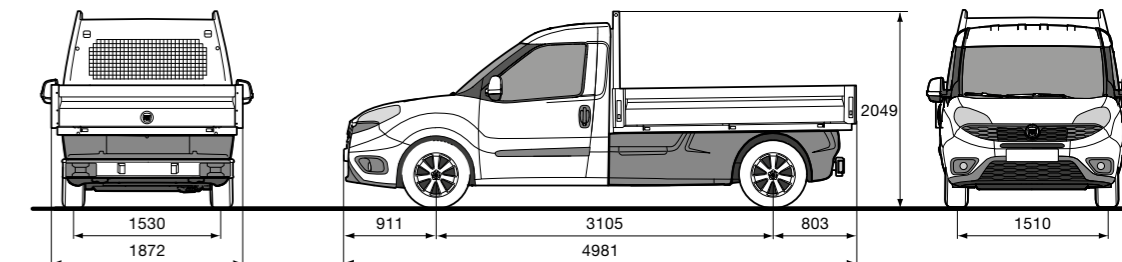
Surface	4.2
---------	-----

**Weight**

Engine versions	105 - 120 MultiJet <sub>2</sub>
Vehicle weight * (kerb weight) (kg)	1665
Payload including driver (kg)	845
GVW (kg)	2510
Max. towable weight (kg)	1300

**Fuel consumption - Emissions**

Engine versions	105 - 120 MultiJet <sub>2</sub> Euro 6d-TEMP ECOJet DPF S&S Ecopack
Fuel included	diesel
Combined consumption (l/100 km)	7.9
CO <sub>2</sub> emissions (g/km)	209

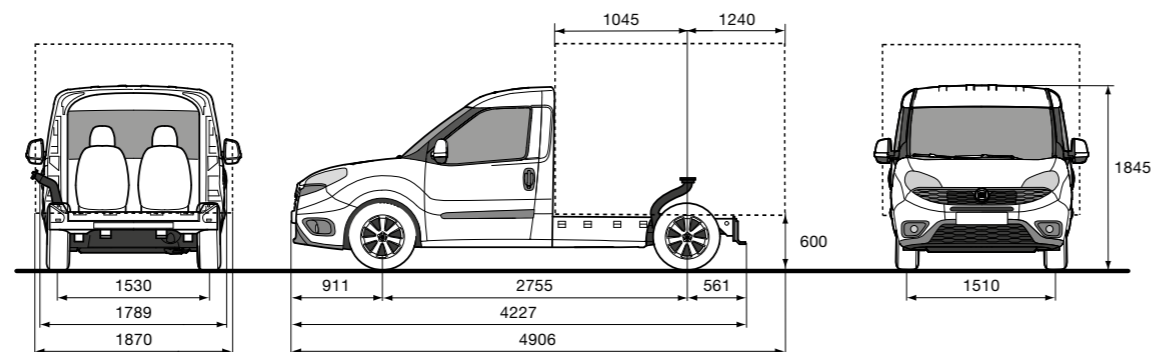


\* Referred to basic versions without optional

## CHASSIS CAB WITH PLATFORM SHORT WHEELBASE

### Exterior dimensions (mm)

Wheelbase	2755
Length	4227
Width	1789
Front track	1510
Rear track	1530
Maximum height (unladen)	1845
Front overhang	911
Rear overhang	561
Chassis height (STDA)	600
Distance rear axle edge of body (finished conversion overhang limit) *	1240
Distance behind cabin to rear axle	1045
<b>Platform (mm)</b>	
Platform length	1606
Theoretical max. body length *	2285
Theoretical max. body width *	1870



### Weight

Engine versions	105 - 120 MultiJet <sub>2</sub>
Vehicle weight * (kerb weight) (kg)	1310
GVW (kg)	2484
Max. permitted weight on the front axle (kg)	1200
Max permitted weight on the rear axle (kg)	1450
Max. towable weight (kg)	1300

### Fuel consumption - Emissions

Engine versions	105 - 120 MultiJet <sub>2</sub>
Fuel included	Euro 6d-TEMP ECOJet DPF S&S Ecopack diesel
Combined consumption (l/100 km)	8.6
CO <sub>2</sub> emissions (g/km)	227

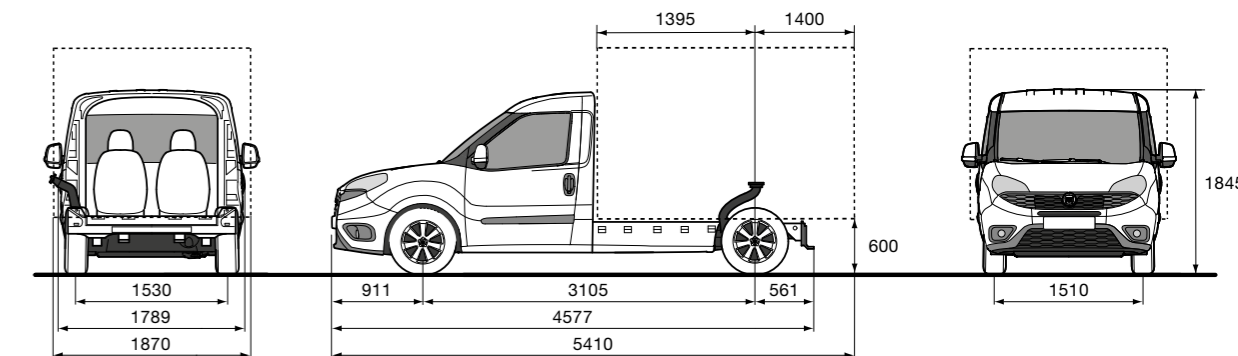
\* Depending on type of trim and weight distribution on axles

▲ In running order with supplies, tools and accessories

## CHASSIS CAB WITH PLATFORM LONG WHEELBASE

### Exterior dimensions (mm)

Wheelbase	3105
Length	4577
Width	1789
Front track	1510
Rear track	1530
Maximum height (unladen)	1845
Front overhang	911
Rear overhang	561
Chassis height (STDA)	600
Distance rear axle edge of body (finished conversion overhang limit) *	1400
Distance behind cabin to rear axle	1395
<b>Platform (mm)</b>	
Platform length	1956
Theoretical max. body length *	2795
Theoretical max. body width *	1870



### Weight

Engine versions	105 - 120 MultiJet <sub>2</sub>
Vehicle weight * (kerb weight) (kg)	1325
GVW (kg)	2510
Max. permitted weight on the front axle (kg)	1200
Max permitted weight on the rear axle (kg)	1450
Max. towable weight (kg)	1300

### Fuel consumption - Emissions

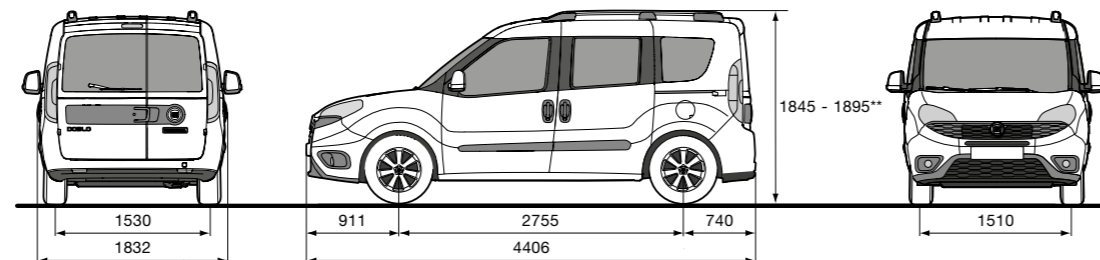
Engine versions	105 - 120 MultiJet <sub>2</sub>
Fuel included	Euro 6d-TEMP ECOJet DPF S&S Ecopack diesel
Combined consumption (l/100 km)	8.6
CO <sub>2</sub> emissions (g/km)	227

\* Depending on type of trim and weight distribution on axles

▲ Referred to basic versions without optional

## COMBI SHORT WHEELBASE

Exterior dimensions (mm)	
Wheelbase	2755
Length	4406
Width	1832
Front track	1510
Rear track	1530
Maximum height (unladen)	1845 - 1895**
Front overhang	911
Rear overhang	740
Luggage compartment (mm)	
Length	950
Minimum length	1120
Maximum width	1195
Height up to rear window shelf	600
Maximum height	1250
Luggage compartment capacity (litres)	
Volume	790 / 3200*



Weight			
Engine versions	120 T-Jet	80 - 95 MultiJet <sub>2</sub>	100 - 105 - 120 MultiJet <sub>2</sub>
Vehicle weight * (kerb weight) (kg)	1346	1460 - 1500	1520 - 1505
Payload including driver (kg)	5p + 449	5p + 335 (+ 425 ■)	5p + 335 (+ 450 ■)
GVW (kg)	2170	2170 - 2300 ■	2230 - 2330 ■
Max. towable weight (kg)	1000	1000	1300

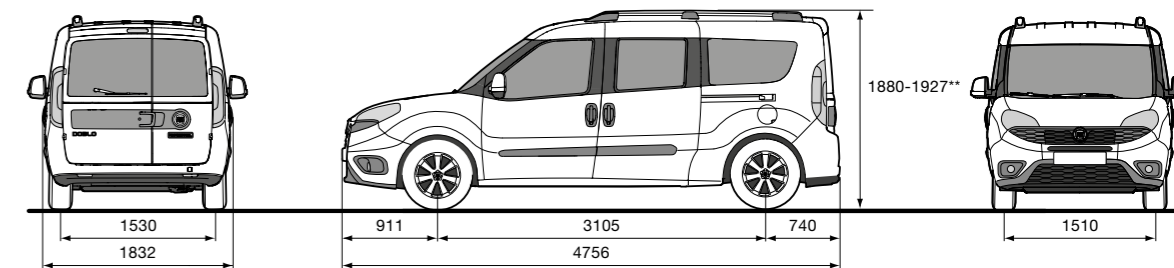
Fuel consumption - Emissions			
Engine versions	120 T-Jet Euro 6d-TEMP	80 - 95 MultiJet <sub>2</sub> Euro 6d-TEMP ECOJet DPF S&S ECOpack	100 - 105 - 120 MultiJet <sub>2</sub> Euro 6d-TEMP ECOJet DPF S&S ECOpack
Fuel included	petrol	diesel	diesel
Combined consumption (l/100 km)	9.7 - 9.8	5.7 - 6.3	6.2 - 6.8
CO <sub>2</sub> emissions (g/km)	222 - 224	151 - 166	164 - 180

All values are referred to N1 homologation

\* With back seats folded down without tubular partition    ▲ Referred to basic versions without optional    ■ Reinforced suspension with option 057    \*\* With opt 357 longitudinal bars

## COMBI MAXI

Exterior dimensions (mm)	
Wheelbase	3105
Length	4756
Width	1832
Front track	1510
Rear track	1530
Maximum height (unladen)	1880 - 1927**
Front overhang	911
Rear overhang	740
Luggage compartment (mm)	
Length	1300
Minimum length	1191
Maximum width	1261
Height up to rear window shelf	600
Maximum height	1250
Luggage compartment capacity (litres)	
Volume	1050/4000*



Weight			
Engine versions	120 T-Jet	80 - 95 MultiJet <sub>2</sub>	100 - 105 - 120 MultiJet <sub>2</sub>
Vehicle weight * (kerb weight) (kg)	1441	1500	1570
Payload including driver (kg)	5p + 449	5p + 425	5p + 450
GVW (kg)	2265	2300	2395
Max. towable weight (kg)	1000	1000	1300

Fuel consumption - Emissions			
Engine versions	120 T-Jet Euro 6d-TEMP	80 - 95 MultiJet <sub>2</sub> Euro 6d-TEMP ECOJet DPF S&S ECOpack	100 - 105 - 120 MultiJet <sub>2</sub> Euro 6d-TEMP ECOJet DPF S&S ECOpack
Fuel included	petrol	diesel	diesel
Combined consumption (l/100 km)	9.8 - 9.9	6.0 - 6.5	6.3 - 6.9
CO <sub>2</sub> emissions (g/km)	223 - 225	158 - 171	166 - 182

All values are referred to N1 homologation

\* With back seats folded down without tubular partition    \*\* With opt 357 longitudinal bars    ▲ Referred to basic versions without optional    p= 75kg

# COMBI XL

## Exterior dimensions (mm)

Wheelbase	3105
Length	4756
Width	1832
Front track	1510
Rear track	1530
Maximum height (unladen)	2125
Front overhang	911
Rear overhang	740

## Luggage compartment (mm)

Length	1300
Minimum length	1191
Maximum width	1261
Height up to rear window shelf	600
Maximum height	1495

## Luggage compartment capacity (litres)

Volume	1050 / 4800*
--------	--------------

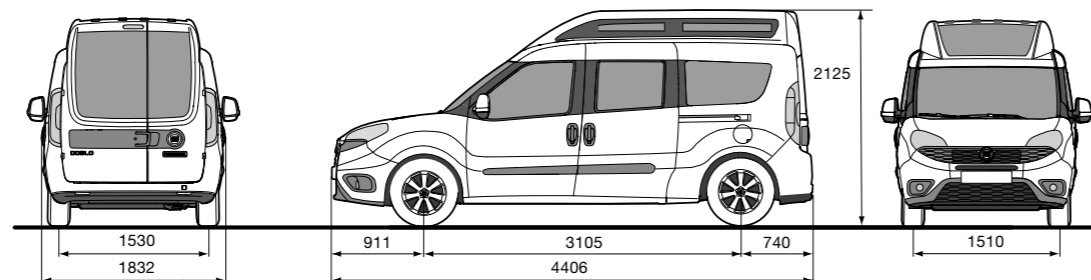
## Weight

Engine versions	120 MultiJet
Vehicle weight * (kerb weight) (kg)	1575
Payload including driver (kg)	5p + 425
GVW (kg)	2375
Max. towable weight (kg)	1300

## Fuel consumption - Emissions

Engine versions	120 MultiJet, Euro 6d-TEMP ECOJet DPF S&S ECOpack
Fuel included	diesel
Combined consumption (l/100 km)	6.5 - 6.9
CO <sub>2</sub> emissions (g/km)	172 - 181

All values are referred to N1 homologation



\* With back seats folded down without tubular partition

▲ Referred to basic versions without optional

p= 75kg

# STANDARD EQUIPMENT AND OPTIONS

		VAN	VAN LOUNGE	CHASSIS CAB WITH PLATFORM	COMBI	COMBI LOUNGE	WORK UP
<b>Exteriors</b>							
Side protections	927	●	●	●	●	●	●
Two asymmetric panelled rear swing doors		●	●	—	—	—	—
Two-wing glazed rear swing doors with heated rear window and rear windscreen wipers	519	○	○	—	●/○ (Maxi)	●/○ (Maxi)	—
Integrated hub caps	878	○	○	○	●	●	○
16" alloy rims	431	○	○	—	○	○	—
Fog lights	097	○	○	○	○	○	○
Rear light clusters for drop-frame	4EA	—	—	○	—	—	●
Front & rear mud flaps	990	○/—	○/—	—	○/—	○/—	—
Rear mud flaps	197	○/—	○/—	—	○/—	○/—	—
Front & rear bumper in body colour	876	○	○	○	○	●	○
Glazing kit (partial fixed side glazing for van)	55D	○	○	—	—	—	—
Tinted rear windows	070	○	○	—	○	○	—
Sliding side door	523	○/● (Maxi)	●	—	●	●	—
Additional sliding side door	055	○	○	—	●	●	—
Panelled third window	526	●	●	—	○	○	—
Rear door with two panelled swing doors for Combi versions	516	—	—	—	○	○	—
Glazed swing tailgate, heated rear window and rear window wipers (no XL)	148	○	○	—	○/● (Maxi)	○/● (Maxi)	—
Electric exterior rear view mirrors	041	○	○	○	○	●	○
External mirrors with spotter	64L	○	○	○	—	—	○
Manual exterior rear view mirrors	043	●	●	●	●	—	●
Electrically controlled folding wing mirrors	341	○	○	○	○	○	○
Painted wing mirrors	976	○	○	○	○	○	○
Metallic paintwork	210	○	○	○	○	○	○
Third brake light		●	●	—	●	●	—
Rear hatch on loading compartment roof	585	○/— (Maxi)	○/— (Maxi)	—	—	—	—
High roof (no 1.3 MJet)	360	○/— (Maxi) / ● (XL)	○/— (Maxi) / ● (XL)	—	— (Maxi) / ● (XL)	— (Maxi) / ● (XL)	—
16" alloy rims (for version without TPMS only)	50902745	△	△	—	—	—	—

## Interior

Protective ladder behind driver seat	194	○	○	—	—	—	—
Pivoting split partition	201	○	○	—	—	—	—
Fixed tubular partition for Combi (N1 homologation)	56K	—	—	—	○	○	—
Fixed metal partition	149	●	●	—	—	—	—
Fixed metal partition with central glazing	199	○	○	○	—	—	●
Complete partition for third seat (panelled + grid)	7ET	○	○	—	—	—	—
Complete panelled partition for third seat	8GA	○	○	—	—	—	—
Complete glazed partition for third seat	8GB	○	○	—	—	—	—
Ladder partition driver side for third seat	7EU	○	○	—	—	—	—

		VAN	VAN LOUNGE	CHASSIS CAB WITH PLATFORM	COMBI	COMBI LOUNGE	WORK UP
<b>Interior</b>							
Soundproof insulation partition	552	○	○	○	—	—	●
Lockable glove compartment	658	○	●	○	○	●	○
Techno leather steering wheel and gear lever cover and Split leather knob	320	○	○	○	○	○	○
Driver's seat with armrest and lumbar height adjustment	627	○	—	○	○	—	○
Two-seater multifunctional bench	293	○	○	○	—	—	○
Adjustable passenger seat with storage compartment in cushion	295	○	○	○	—	—	○
Passenger seat with folding backrest	297	○	●	○	●	●	○
Passenger seat folding to floor level	4GQ	○	○	○	—	—	○
Passenger seat that folds down to form a table	785	—	—	—	○	○	—
Heated driver's seat	453	○	○	○	○	○	○
Heated passenger seat	452	○	○	○	○	○	○
Second row split seat, three-point safety belts and head restraint	195	—	—	—	●	●	—
Leather upholstery	728	○	—	○	—	—	—
PVC loading compartment carpet	798	○	○	—	—	—	—
Luggage compartment carpet		—	—	—	●	●	—
Luggage compartment curtain	104	—	—	—	●	●	—
Adjustable rigid rear parcel shelf	209	—	—	—	○/— (Maxi)	○/— (Maxi)	—
Seat covers	71805886/87	△	△	△	△	△	△
Side baffles	71805777	△	△	△	△	△	—
Rubber mats	50902913	△	△	—	—	—	—
Pressed felt mats with Doblò logo	71807939	△	△	△	△	△	△
Carpet mats with Doblò logo	71807938	△	△	—	—	—	—
PC/PL interior platform protection	50928838 50928839	△	△	—	—	—	—
PC/PL inner wall protection	50902466/2739	△	△	—	—	—	—

## Functional / Electric

Remote control for door opening and locking	008	○	●	○	○	●	○
Additional remote control key	4YV	○	○	○	—	—	○
Hydraulic power steering	014	●	●	●	●	●	●
Height and reach-adjustable steering wheel	011	●	●	●	●	●	●
Electric front windows and electric door locking system	028 + 228	●	●	●	●	●	●
Electric rear windows	023	—	—	—	○	○	—
Smoker's kit	989	○	○	○	○	○	○
12V socket on dashboard		●	●	●	●	●	●
12V socket in load compartment (no CNG)	4HG	○	●	—	●	●	—
Third 12V socket on tunnel	JKP	○	○	○	○	○	○
Increased capacity alternator	4WP/065	○ <sup>1</sup>	○ <sup>1</sup>	○	○ <sup>1</sup>	○ <sup>1</sup>	○

<sup>1</sup> not available on: 1.4 petrol

● standard ○ optional — not available △ Mopar Accessories

# STANDARD EQUIPMENT AND OPTIONS

		VAN	VAN LOUNGE	CHASSIS CAB WITH PLATFORM	COMBI	COMBI LOUNGE	WORK UP
<b>Functional / Electric</b>							
Outfitters socket	081	○	○	○	—	—	○
Headlight alignment corrector	048	●	●	●	●	●	●
Load compartment courtesy light with removable flashlight	58F	○	○	—	—	—	—
Trip computer		●	●	●	●	●	●
Rev counter	044	●	●	●	●	●	●
Gateway module	6CW	○	○	○	○	○	○
Loading compartment rings		●	●	—	●	●	●
Longitudinal roof bars (no XL)	357	○	○	—	○	○	—
Long lad roof bars (inside load compartment)	983	○	○	—	—	—	—
Automatic climate control system	140	○	○	○	○	○	○
Manual climate control system	025	○	○	○	○	○	○
Outside temperature sensor	5BY	●	●	●	●	●	●
PTC heater for diesel engines	52Y	○	○	○	○	○	○
Cruise Control	416	○	○	○	○	○	○
Additional methane tank	422	○ (Maxi)	○ (Maxi)	—	—	—	—
Fix&Go tyre repair kit	499	●	●	●	●	●	●
Regular sized spare wheel	980	○	○	○	○	○	○
Regular sized spare wheel & Fix&Go (980+499)	64E	○	○	○	—	—	○
M+S Tyres by Mopar		△	△	△	△	△	△
Parking sensors	508	○	○	—	○	○	—
Extra capacity	943	○/● (Maxi and XL; CNG and Petrol)	○/● (Maxi and XL; CNG and Petrol)	●	—	—	●
Reinforced suspension	057	—	—	—	○/● (Maxi and XL)	○/● (Maxi and XL)	—
Fixed/removable tow hook	50902540/41	△	△	△	△	△	—
Monoblock/hook tow hook	71803634	△	△	△	△	△	—
Modular alarm	50902775/81	△	△	—	△	△	△
Transverse bars on roof in PC/PL al. (70/100 kg)	50902256/58	△	△	—	—	—	—
Steel luggage basket, spoiler, PC/PL integrated roller (100 kg)	50902260/59	△	△	—	—	—	—
Side work ladder	50902597	△	△	—	—	—	—
Anti-tilt load blocks	50902600	△	△	—	—	—	—
Load belts	50902602	△	△	—	—	—	—
1.5 m module side profiles with pipe rack	50902603/04	△	△	—	—	—	—
<b>Safety / Mechanical parts</b>							
Four-sensor ABS + EBD (Electronic Brake Distribution)	009	●	●	●	●	●	●
Driver airbag		●	●	●	●	●	●
Side bags (head + chest)	505	○	○	○	○	○	—
Passenger airbag	502	○	○	○	○	●	○

		VAN	VAN LOUNGE	CHASSIS CAB WITH PLATFORM	COMBI	COMBI LOUNGE	WORK UP
<b>Safety / Mechanical parts</b>							
Impact beams on cab doors		●	●	●	●	●	●
FPS fire prevention system with inertia switch		●	●	●	●	●	●
Height adjustable front headrest with whiplash protection	42F	○	○	○	○	○	○
Rear seat headrests	182	—	—	—	●	●	—
Safe Lock (door security system)	064	○	○	—	○	○	—
Alarm set-up	388	○	○	—	○	○	—
ECOJet pack with Start&Stop (1.3 and 1.6 MJet only)	5KQ +5DE	●	●	●	●	●	●
ESC Electronic stability control system	392	●	●	●	●	●	●
Traction Plus pack: Traction plus+summer 16" tyres+under engine protection (1.6 MJet engine only)	941	○	○	○	○	○	○
<b>Audio / Infotainment</b>							
Radio setup with cables and aerial	072	○	●	○	○	●	○
Radio setup with cables, aerial and speakers	4HL	○	○	○	○	○	○
Radio with Bluetooth®	6ZE	○	○	○	○	○	○
Radio with Bluetooth® & DAB	7BZ	○	○	○	○	○	○
Radio Uconnect™ 5" touchscreen Bluetooth®	94H	○	○	○	○	○	○
Radio Uconnect™ 5" touchscreen Bluetooth® and DAB	93U	○	○	○	○	○	○
Radio Uconnect™ 5" NAV touchscreen Bluetooth® and DAB	93V	○	○	○	○	○	○
Steering wheel radio controls	245	○	○	○	○	○	○

● standard ○ optional — not available △ Mopar Accessories

# BODY / INTERIOR TRIM COLOUR COMBINATIONS

TRIM LEVELS	Seats	CARGO		CARGO LOUNGE		COMBI		COMBI LOUNGE		WORK UP
		STAR	PIERCE* (opt. 728)	PINSTRIPE		PINSTRIPE		NEW POP OLONA		STAR Grigio
Colours		213 Grey	280 Grey	275 Grey	273 Red	223 Grey	203 Red	301 Grey	389 Red	213 Grey
<b>Pastel colours</b>										
249 White		■	■	■	■	■	■	■	■	■
168 Red		■	■	■	■	■	■	■	■	■
479 Blue		■	■	■		■		■		■
<b>Metallic colours</b>										
722 Pearl		■	■	■		■		■		
293 Red		■	■	■	■	■	■	■	■	
448 Light blue		■	■	■		■		■		
515 Blue		■	■	■		■		■		
695 Grey		■	■	■	■	■	■	■	■	■
612 Light grey		■	■	■	■	■	■	■	■	■
632 Black		■	■	■	■	■	■	■	■	■

\* Imitation leather

## VEHICLE WARRANTY

With your new Fiat Professional commercial vehicle comes a 24-month warranty starting from the delivery date and without mileage limits. The warranty covers factory defects which will be repaired free of charge and using original or reconditioned parts. Operations under warranty are carried out by Dealerships and include:

- repair or replacement of the faulty part;
- labour for replacement or repair operations;
- supply of consumables needed to carry out the repairs under Warranty.

During the period of Warranty you can benefit of the advantages of roadside assistance.

### Warranty on paint work

The vehicle is covered against factory defects regarding paint work for 36 months starting from the delivery date. The warranty includes the complete or partial repainting of the vehicle, in order to remove the fault determined according to the Manufacturer's standard conditions.

### Anti-perforation warranty

Structural elements of the body are covered against perforation due to corrosion, as long as this takes place from the inside outwards. The warranty includes the repair and/or replacement of any original structural element of the body perforated by corrosion, and is valid for a period of 8 years starting from the delivery date.

We recommend that you check the specific coverage conditions in your warranty booklet.

## CIAO FIAT CUSTOMER SERVICE

You can call Fiat Professional free of charge on 0080034280000\* from anywhere in Europe. We are at your disposal to provide roadside assistance 365 days a year, 24 hours a day. If you contact the Fiat Customer Service, you can also request information about our models, services and Dealership Network.

You can also book a test drive of any vehicle you like.

Whatever you need, we're here for you.

\* Check the cost with your operator beforehand when calling from abroad or from a mobile network.

**CIAO FIAT**  
00 800 342 800 00

## SPECIAL SALES PROGRAMMES

Customised mobility solutions? Autonomy is aimed at people with reduced motor abilities and proposes specific trim levels for passenger transport vehicles, roadside assistance and financial services. It also offers comprehensive assistance in obtaining a special driving licence from Mobility Centres.

Call the free-phone number 800-838333 to obtain full and complete information based on your needs.



## MY FIAT PROFESSIONAL

Take care of your Fiat Professional with a click! Register on my FIAT PROFESSIONAL. You'll get personalised advice, dedicated tools and exclusive promotions. Go to [my.fiatprofessional.com](http://my.fiatprofessional.com).

**my Fiat Professional**



## FINANCIAL AND INSURANCE SERVICES\*

Find out how to get your new Doblò with FCA BANK's innovative finance solutions. Whether you're an individual, a self-employed professional or an entrepreneur, FCA BANK offers you the best and most flexible financial instruments to assist your imminent purchase of a new Doblò and drive in complete freedom. With FCA BANK you can combine high-added-value services tailor made to meet your every requirement. For more information, visit [www.fcabank.it](http://www.fcabank.it)

However you choose to experience mobility, FCA BANK satisfies your needs with financial and leasing packages combined with exclusive services.

**Instalment** Classic instalment finance that allows you to spread the payment of all or part of your new vehicle for a period ranging from 12 to 72 months or part of your used vehicle for a period ranging from 12 to 60 months.

**Leasing** If you are a freelancer, self-employed or an entrepreneur, this solution allows you to use the vehicle without immobilizing capital. You can choose the duration of the contract (up to 60 months) as well as the down payment sum, and enjoy a flexible final cash surrender value.

Together with the loan, FCA BANK offers a complete range of services that protect you from any unforeseen event: Indelible marking on key vehicle components as a maximum deterrent against theft, the special Fire&Theft, Collision (protection against collisions with other vehicles), Kasko and Prestito Protetto protected loan (e.g. instalment repayment if you lose your job) policies and three types of StradaFacendo Warranty with different cover for keeping your car in shape.

\* Within the limits laid down by policy conditions and save the exclusions indicated. For more information, call the Contact Centre 199.818.203 (from Monday to Friday from 9 a.m. to 5 p.m.) or visit the [www.fcabank.it](http://www.fcabank.it) website.



## HIRE SERVICES

Long term hire is the perfect solution for companies and tradespeople that want to exploit and enjoy all the advantages of their new vehicle, without its ownership and the related obligations. Long-term hire offers a number of tangible advantages: • No initial investment to purchase the vehicle • No unexpected costs, the fixed rate is defined according to the duration of the contract, the estimated mileage and any additional services. Routine and non-routine servicing costs are included • No risk of depreciation, at the end of the contract you simply return the vehicle, so you don't have the hassle of selling it • No time wasted, and you'll always be mobile - guaranteed.

For information contact your Dealership or visit the [www.leaseys.com](http://www.leaseys.com) website or call the free-phone number 800334422.

**LEASEYS**  
CARE. THEN CARS.

## MOPAR® VEHICLE PROTECTION

MOPAR® VEHICLE PROTECTION offers a number of service agreements specially designed to ensure all its customers the pleasure of driving their cars worry-free and without any unforeseen events. Our product portfolio consists of a wide and flexible range of extended warranties and service plans authorised by Alfa Romeo. Every agreement adapts to the customer's driving requirements, with different solutions that vary in duration and mileage. Only with Mopar® Vehicle Protection can you be sure that all servicing will be performed by highly qualified and specialised professionals at authorised Fiat Professional repair workshops throughout Europe, where only genuine spare parts will be used. Choose the Service Agreement that best fits your driving requirements.

### MAXIMUM CARE: ZERO WORRIES WHEREVER YOU ARE

Make sure you travel safely with the extended warranty covering the mechanical and electrical components of your vehicle, in addition to the manufacturer's contractual 2-year warranty valid in Italy and abroad. The widest offer that fits the customer's needs, with solutions varying in terms of duration and mileage, with up to 200,000 km and 3 years in addition to the contractual 2-year warranty.

### EASY CARE: MAINTENANCE AT BLOCKED PRICES

The scheduled maintenance plan designed to ensure you have a fixed price on the servicing necessary to take care of your vehicle so it is always kept in perfect running order. Up to 5 years of coverage, with varying solutions in terms of duration and mileage. Lengthen the lifetime of your vehicle by making sure you carry out all the scheduled servicing necessary to ensure the best performance, as always.

\* The Mopar® Vehicle Protection assistance contracts can be signed directly when you purchase a new vehicle and be included (if you like) in the FCA Bank financial offer. EASY CARE can be signed at any time before the first scheduled servicing, while MAXIMUM CARE can be signed within 24 months from the date of vehicle registration.



Trim levels of models and options may vary due to specific market or legal requirements. The data, descriptions and illustrations contained in this brochure are for illustrative purposes and are valid at the date of publication (01/2021). Some equipment described and/or illustrated in this brochure is optional. Refer to the price list for full information. FCA may change the models described in this brochure at any time for technical or commercial reasons.  
Fiat Marketing 04.3.4010.08 - S - 01/2021

[www.fiatprofessional.com](http://www.fiatprofessional.com)



**A PRO LIKE YOU**